

Low height and miniaturized crystal oscillation IC

## XO IC Leadless Series AN28400/01/02

### ■ Overview

The AN28400 series are low height, miniaturized crystal oscillation ICs which can be operated at low voltage. As oscillation circuits, external capacitors and output buffers are built in, crystal oscillation circuits can be easily assembled.

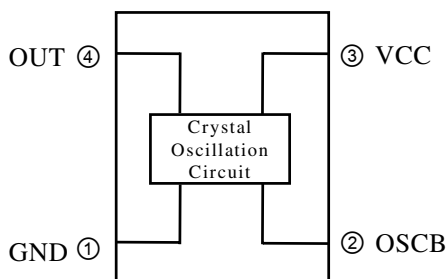
### ■ Features

- Wide range of supply voltages: 2.3 V to 5.5 V
- 2 built-in external capacitors
- Leadless package: 1.15 mm × 1.3 mm × 0.4 mm
- Compatible with band ranges of 13 MHz, 19 MHz and 26 MHz

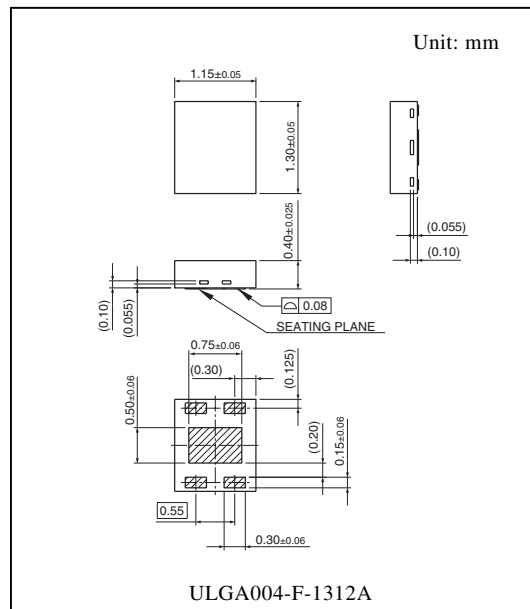
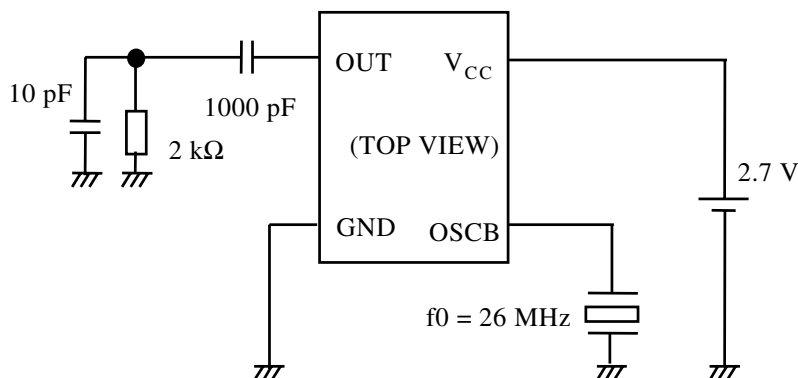
### ■ Applications

XO block for cellular phones

### ■ Block diagram



### ■ Recommended Circuit Example (Band Range: 26 MHz)



### ■ Pin Descriptions

Pin No.	Function	
1	GND	Ground
2	OSCB	Oscillation input
3	V <sub>CC</sub>	Power supply
4	OUT	Output

### ■ Compatible Models

- AN28400 : 26 MHz
- AN28401 : 19 MHz
- AN28402 : 13 MHz

Products and specifications are subject to change without notice. Please ask for the latest Product Standards to guarantee the satisfaction of your product requirements.

Semiconductor Company, Matsushita Electric Industrial Co., Ltd.